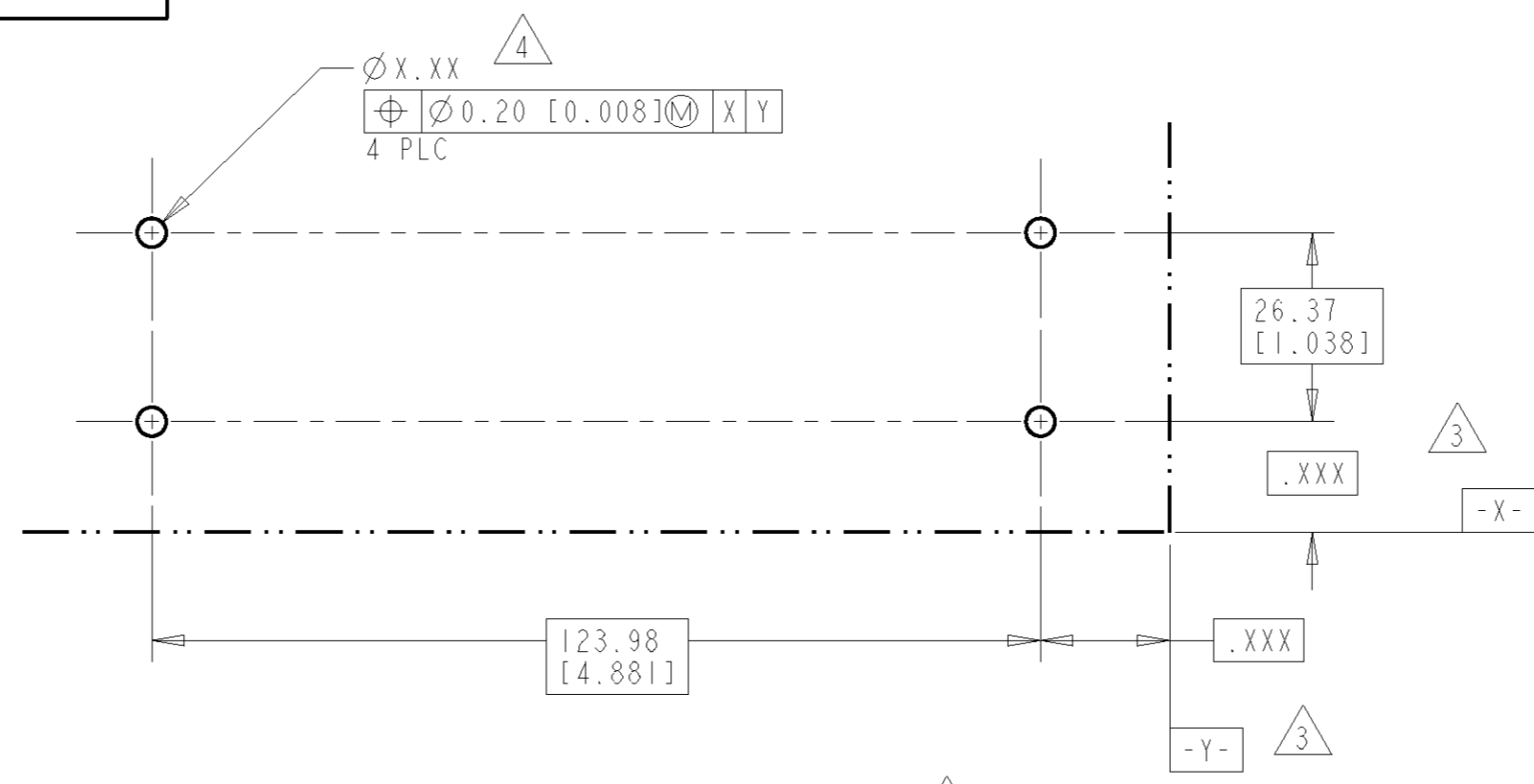
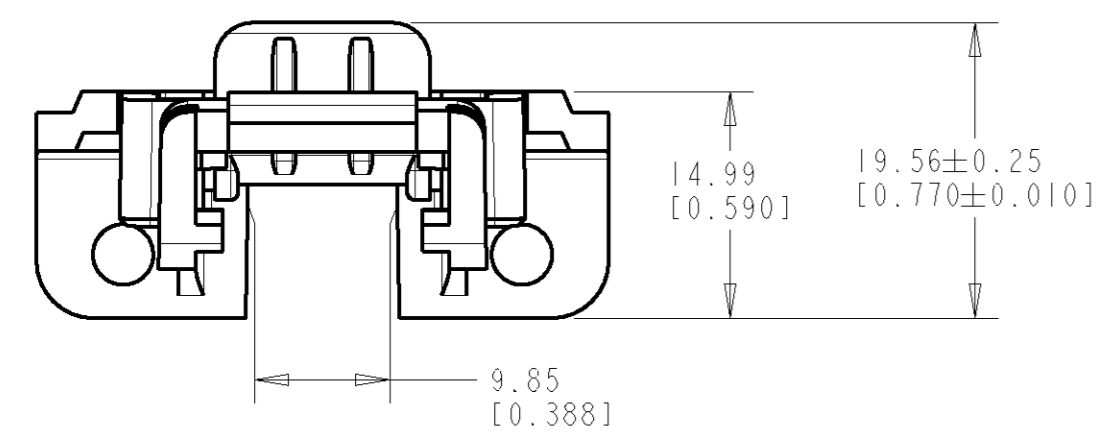
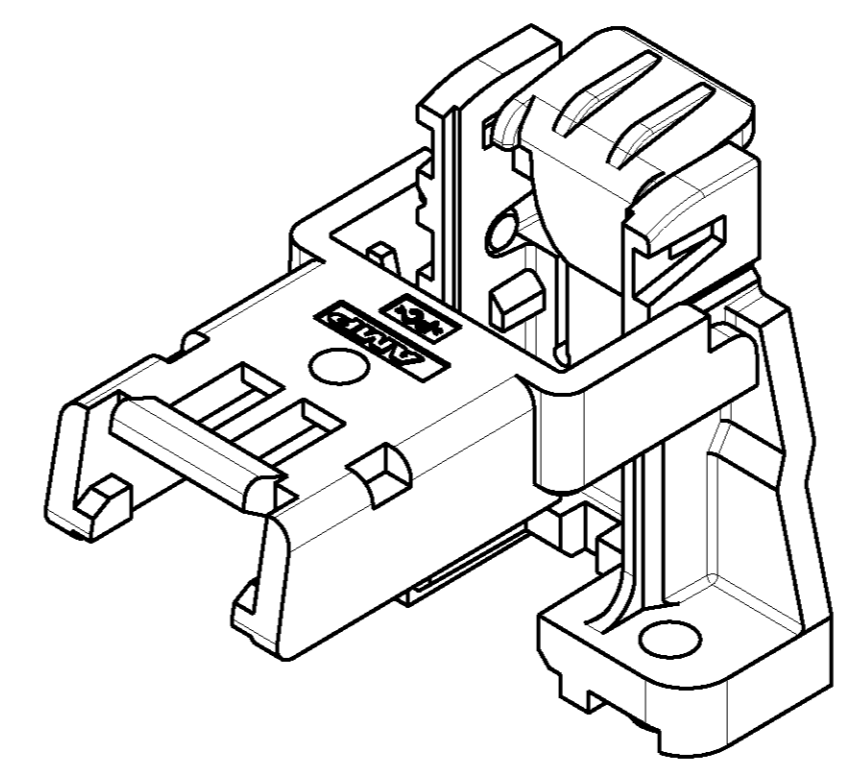
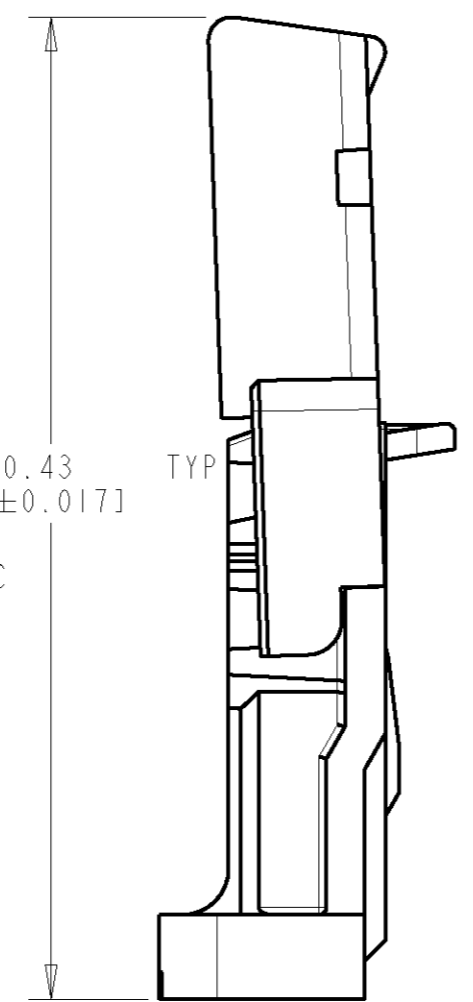
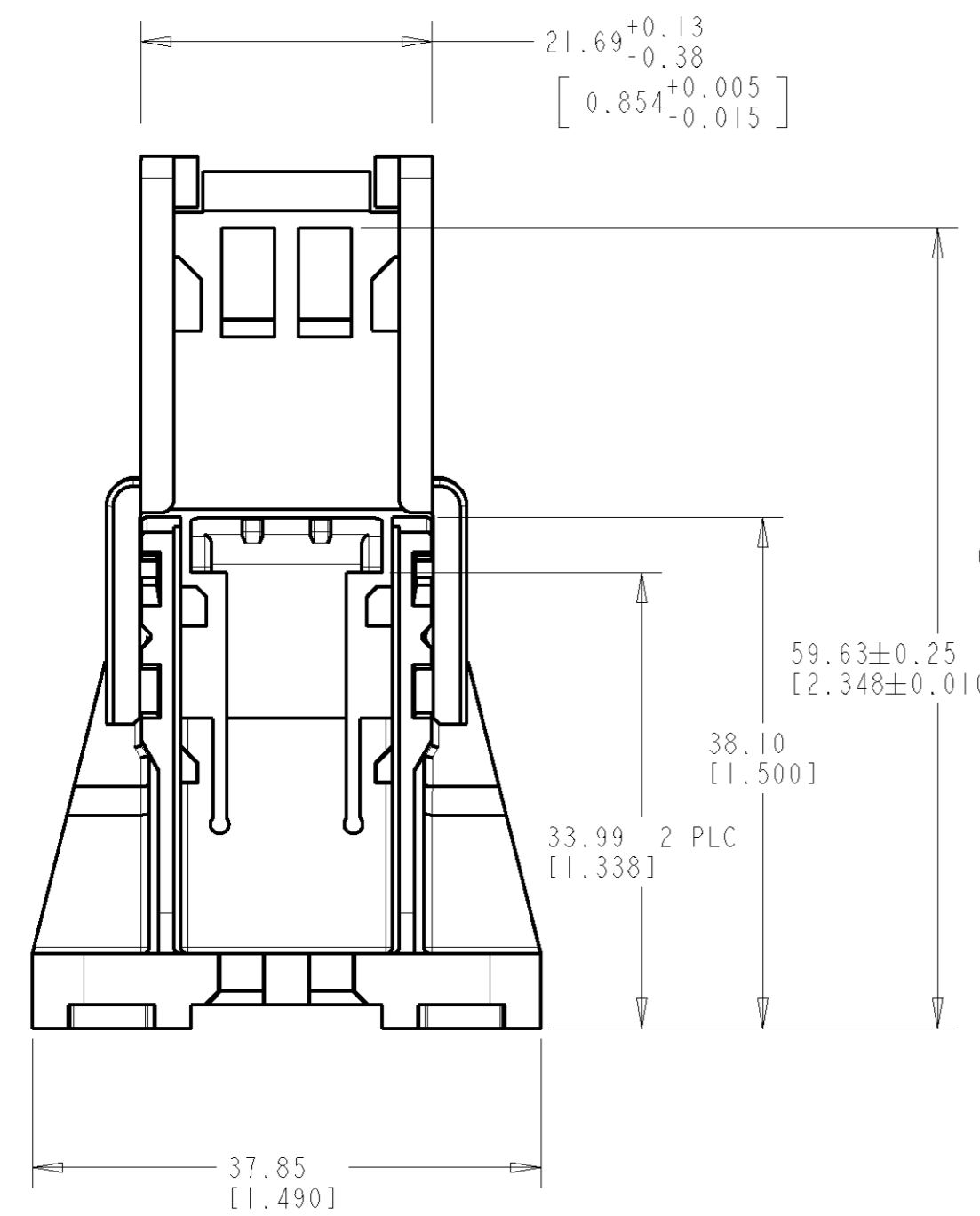


LOC	DIST	REVISIONS					
		P	LTR	DESCRIPTION	DATE	DWN	APVD
AD	14	0		RELEASED	15SEP98	RB	EL
		A		REVISED PER OG51-0241-98	29OCT98	RB	EL

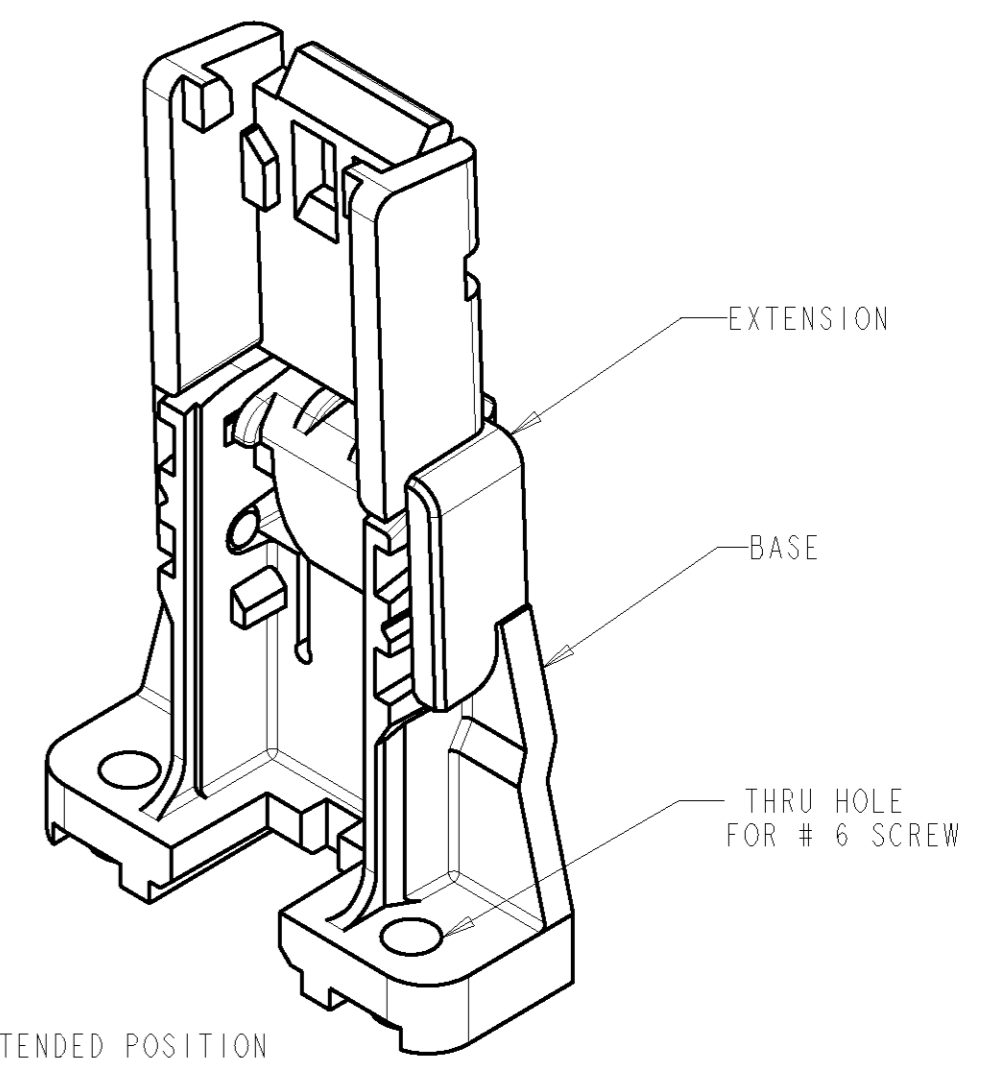


RECOMMENDED PC BOARD LAYOUT SCALE 1:1

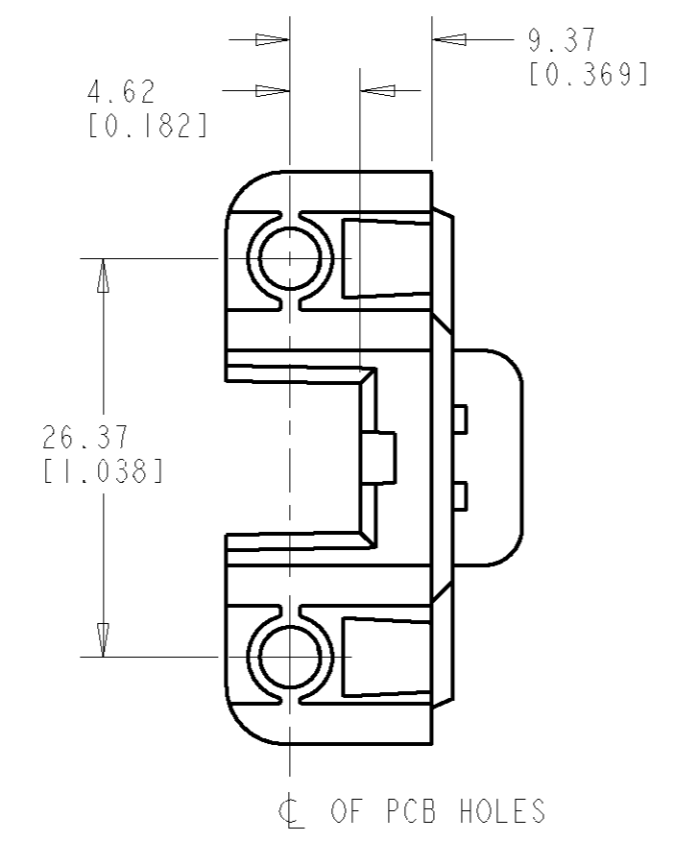
- 1 ALL COMPONENTS- UL 94-VO RATED POLYCARBONATE, BLACK.
- 2 RECOMMENDED PC BOARD THICKNESS OF 1.57±0.15[.062±.006].
- 3 DATUM AND BASIC DIMENSIONS ESTABLISHED BY CUSTOMER.
- 4 HOLE DIAMETER DIMENSION ESTABLISHED BY CUSTOMER
- 5. BULK PACKAGED IN PARTITIONED BOXES IN THE EXTENDED POSITION
- 6 EACH PROCESSOR INSTALLATION REQ'S TWO RETENTION MODULES.



FOLDED POSITION



EXTENDED POSITION



Ø OF PCB HOLES

2 MODULES WITH THRU HOLES	145382-2
1 MODULE WITH THRU HOLES	145382-1
DESCRIPTION	6 PART NUMBER

THIS DRAWING IS A CONTROLLED DOCUMENT FOR AMP INCORPORATED. IT IS SUBJECT TO CHANGE AND THE CONTROLLING ENGINEERING ORGANIZATION SHOULD BE CONTACTED FOR THE LATEST REVISION.		DWN R BROWN 15SEP98	AMP Incorporated Harrisburg, PA 17105-3608	
DIMENSIONS: mm [INCHES]	TOLERANCES UNLESS OTHERWISE SPECIFIED: 0 PLC ± 1 PLC ± 2 PLC ±0.13[.005] 3 PLC ± 4 PLC ± ANGLES ± FINISH -	CHK E LOTTER 15SEP98	NAME UNIVERSAL RETENTION MODULE ASSEMBLY KIT, THRU HOLE	
		APVD V RUMINSKI 15SEP98	PRODUCT SPEC 108-1826	RESTRICTED TO -
MATERIAL 1		APPLICATION SPEC -	SIZE A2	CAGE CODE 00779
		WEIGHT -	DRAWING NO G-145382	SHEET OF 1 1
CUSTOMER DRAWING		SCALE 2:1	REV A	